

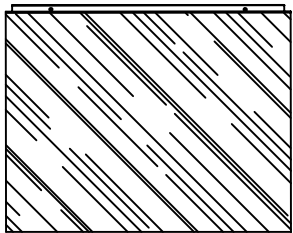
Mirror Light Installation Instructions

Tools Needed:



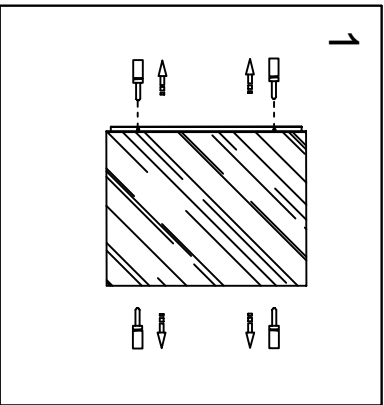
3X

4X

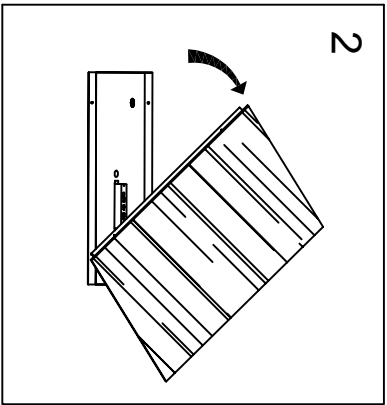


120Vac-50/60Hz

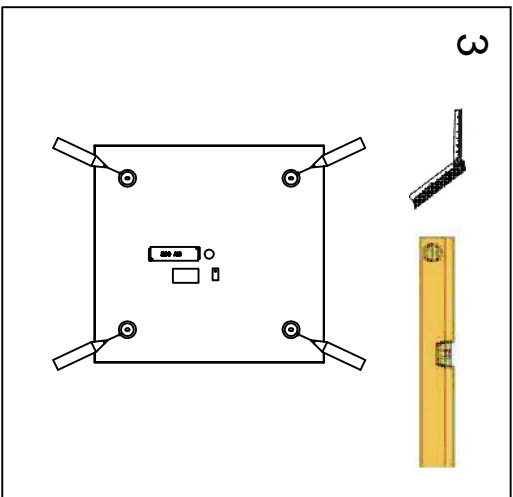
1



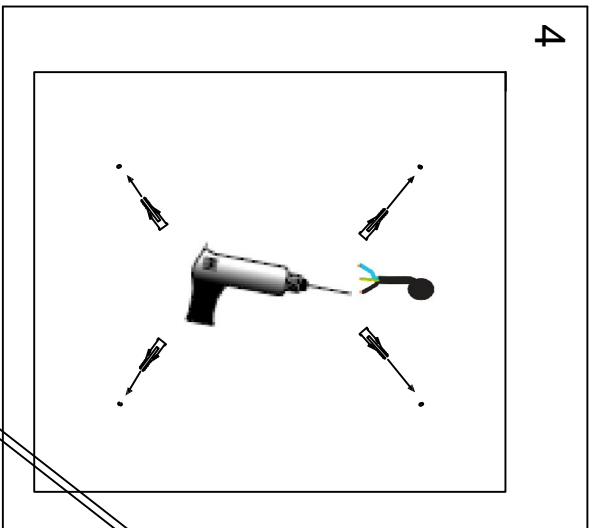
2



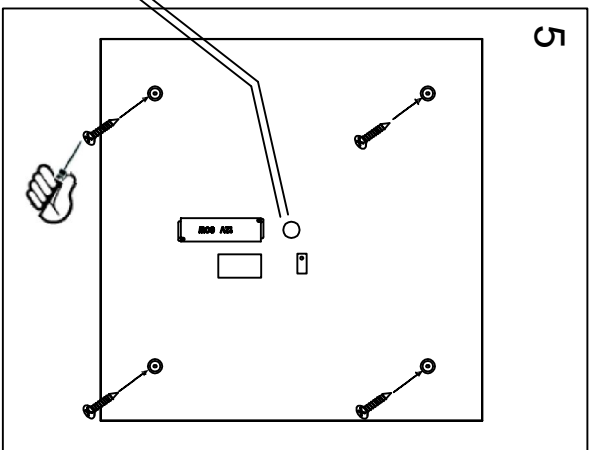
3



4



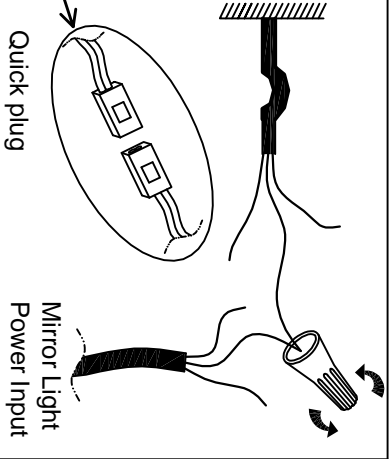
5



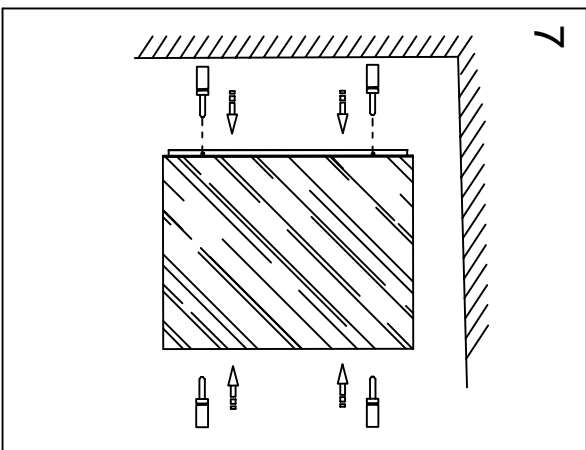
6

WIRING DETAILS

INCOMING SUPPLY: SWITCHED LIVE - L (BLACK or LABELED - L)
 EARTH/GROUND/YELLOW - E (GREEN - E)
 SLEEVES/COPPER - N (WHITE or LABELED - N)
 MIRROR WIRING: SWITCHED LIVE - L (BLACK or LABELED - L)
 EARTH/GROUND/YELLOW - E (GREEN - E)
 SLEEVES/COPPER - N (WHITE or LABELED - N)



7



De-fogger

